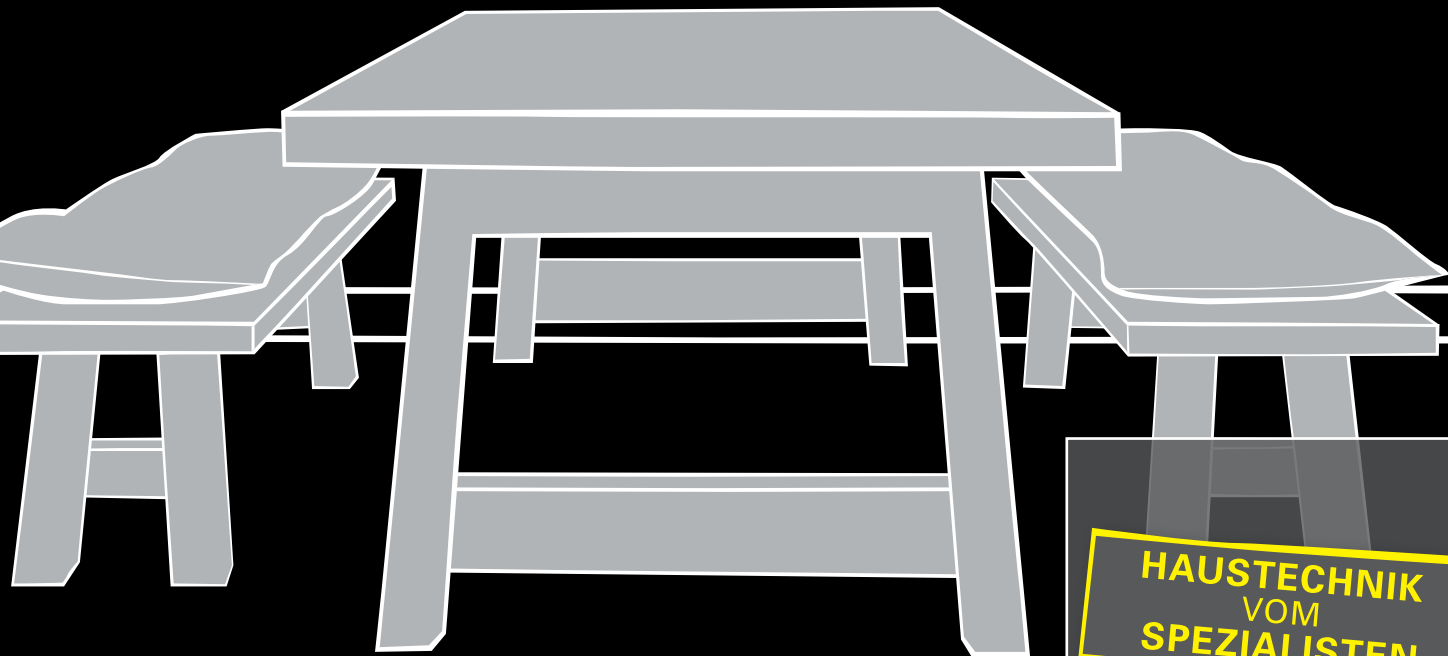
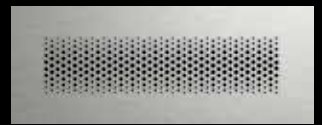


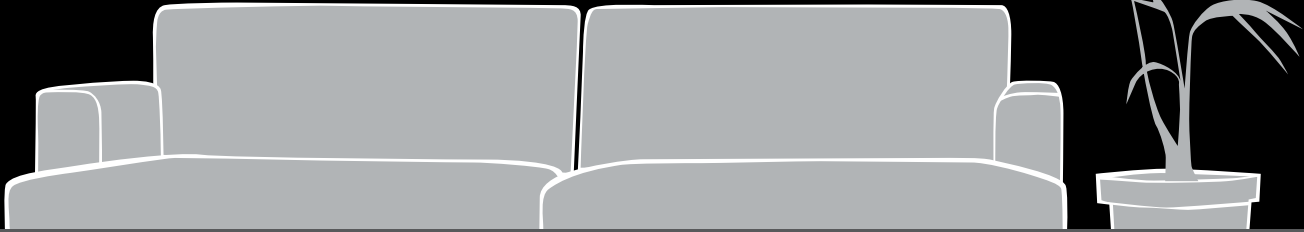
**profi-air® design grill**

**Exquisite highlight – easy installation**



**HAUSTECHNIK  
VOM  
SPEZIALISTEN**

DRAINAGE SYSTEMS  
ELECTRICAL SYSTEMS  
BUILDING TECHNOLOGY  
INDUSTRIAL PRODUCTS



## Easy installation meets stylish appearance



**Design grill – to match any interior style.**

**Exquisite design grills provide a perfect "finish" for heat recovery ventilation.**

Thanks to the sophisticated profi-air series, the ventilation unit, the piping system and the ventilation grill form a true "single-source concept" in terms of quality and functionality.

For a pleasant indoor climate in the entire building and hygienically sound air exchange around the clock.

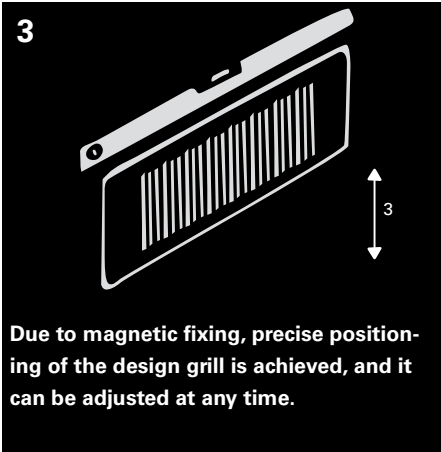
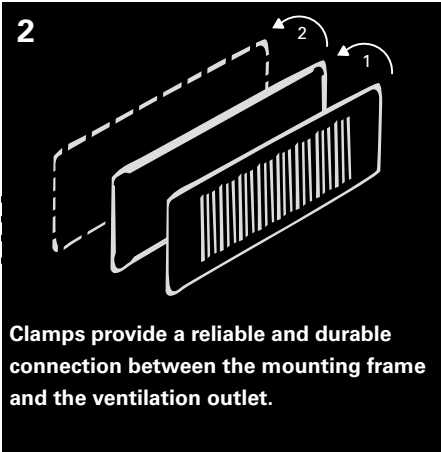
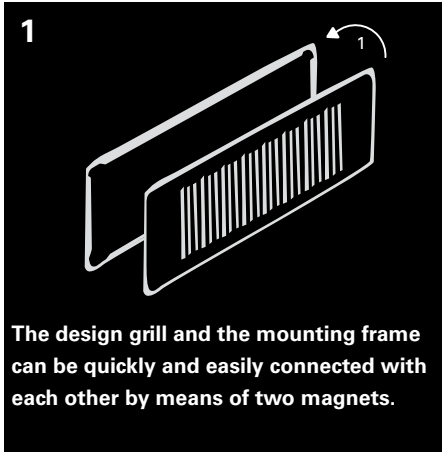
### The all-round design grill: Easy installation and variability thanks to innovative magnetic fixing

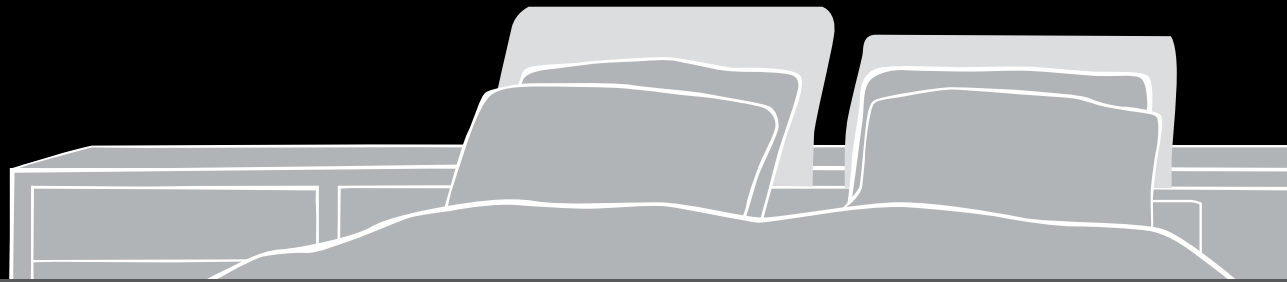
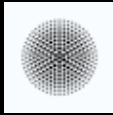
profi-air design grills are a true eye-catcher of heat recovery ventilation systems. As compared to products by other manufacturers, the innovative magnetic fixing ensures easy manual adjustment, and the design grill is reliably attached to the mounting frame. Varying within a wide range of design

options is a breeze: simply remove the magnetically attached grill and replace it by a new one! Yet another advantage: profi-air design grills can be installed without any tools in just three simple steps.

**Practical, flexible installation in just three simple steps:**

- 1) Connect the design grill and the mounting frame.
- 2) Install them into the air outlet.
- 3) Align the design grill.





## Benefits at a glance

**Flexible alignment ...**

**thanks to unique magnetic fixing**



With the help of unique magnetic fixing, the design grill can be quickly and easily connected to the mounting frame. Then, the grill is simply aligned by hand.

**Easy installation ...**

**without any tools**



Installation is as simple as can be: Simply connect the mounting frame and design grill without any tools, and install it in the air outlet.

**Strong connection ...**

**of the mounting frame thanks to clamps**



The clamps provide a reliable connection between the mounting frame and the air outlet. It can be undone by means of tools only.

**Easy cleaning ...**

**of the ventilation system**



Just one easy move is enough to remove the magnetically fixed grill in order to reach the ventilation system. From here, the entire system can be easily cleaned.

**Hygienically sound  
ventilation ...**

**thanks to integrated filter holder**



Practical adjustable flaps secure the filter in the mounting frame and ensure quick and easy filter exchange – for long-lasting hygienically pure air pipes in the entire building.

**All designs ...**

**are quite easy to exchange**



Thanks to the innovative magnetic connection, different types of design grills are any time fully exchangeable.

# profi-air<sup>®</sup> design grill

Design for each and every interior style



**starline** by sieger design

350 x 130 mm



SHAPE BUSINESS  
Glass, White Pure, Cat. No.: 78300660



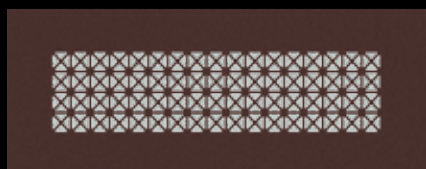
SHAPE STYLE  
Glass, White Pure, Cat. No.: 78300661



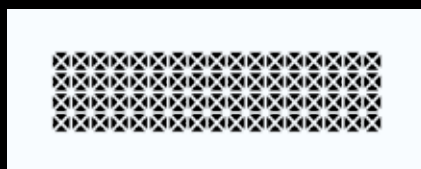
LINE  
Ground stainless steel, Cat. No.: 78300663



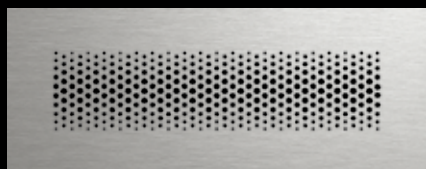
LINE  
White (RAL 9016), Cat. No.: 78300662



PYRAMID  
Dark rust bronze, Cat. No.: 78300665



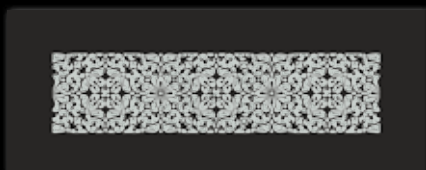
PYRAMID  
White (RAL 9016), Cat. No.: 78300664



AVANTGARDE  
Ground stainless steel, Cat. No.: 78300667



AVANTGARDE  
White (RAL 9016), Cat. No.: 78300666



FLORA  
Anthracite, Cat. No.: 78300669



FLORA  
White (RAL 9016), Cat. No.: 78300668

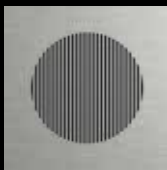
## 160 x 160 mm



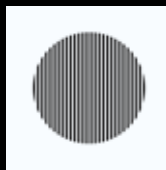
SHAPE COMPACT\*  
Glass, White Pure, Cat. No.: 78312660



SHAPE CIRCLE\*  
Glass, White Pure, Cat. No.: 78312661



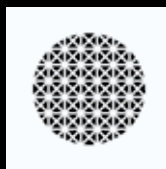
LINE COMPACT  
Ground stainless steel, Cat. No.: 78312663



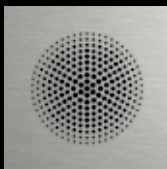
LINE COMPACT  
White (RAL 9016), Cat. No.: 78312662



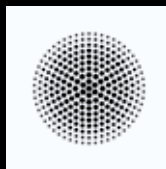
PYRAMID COMPACT  
Dark rust bronze, Cat. No.: 78312665



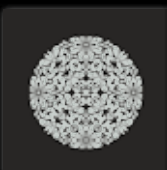
PYRAMID COMPACT  
White (RAL 9016), Cat. No.: 78312664



AVANTGARDE COMPACT  
Ground stainless steel, Cat. No.: 78312667



AVANTGARDE COMPACT  
White (RAL 9016), Cat. No.: 78312666



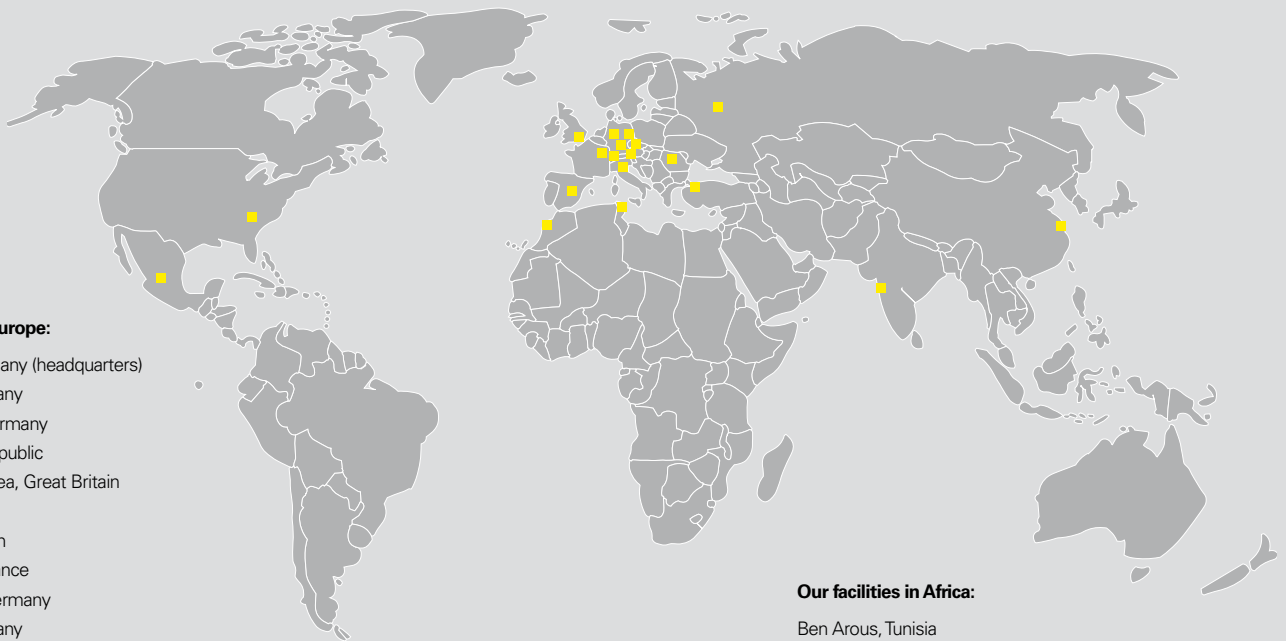
FLORA COMPACT  
Anthracite, Cat. No.: 78312669



FLORA COMPACT  
White (RAL 9016), Cat. No.: 78312668



## Rooted in Königsberg – globally successful!



### Our facilities in Europe:

Königsberg, Germany (headquarters)  
Bückerburg, Germany  
Schwarzheide, Germany  
Okříšky, Czech Republic  
St.-Leonards-on-Sea, Great Britain  
Moscow, Russia  
Yeles/Toledo, Spain  
Torcy-le-Grand, France  
Ebersbach/Fils, Germany  
Hermsdorf, Germany  
Mönchaltorf, Switzerland  
Milan, Italy  
Istanbul, Turkey  
Cluj, Romania  
Wels, Austria

### Our facilities in Asia:

Anting/Shanghai, China  
Pune, India

### Our facilities in Africa:

Ben Arous, Tunisia  
Casablanca, Morocco

### Our facilities in North America and Mexico:

Anderson, USA  
Guanajuato, Mexico

FRÄNKISCHE is an innovative, growth-oriented, medium-sized family-owned enterprise and industry leader in the design, manufacturing and marketing of technically superior corrugated pipe systems for drainage, electrical, building technology and industrial applications.

We currently employ about 2,900 people worldwide. Both our many years of experience and expertise in plastics pro-

cessing, our consulting services and the large array of products are highly valued by our customers.

FRÄNKISCHE is a third generation family owned business that was established in 1906 and is now run by Otto Kirchner. Today, we are globally represented with production facilities and sales offices. The proximity to our customers enables us to develop products and solutions

that are perfectly tailored to our customers' needs. Our action and business philosophy focus on our customers and their needs and requirements for our products.

FRÄNKISCHE –Your partner for sophisticated and technologically advanced solutions.